

# OET-213H-BTM32 Face Recognition Access Control Terminal with Digital Detection Module

## Product Overview

OET-213H-BTM32 digital detection face recognition access control terminal is a kind of access control device with precise recognition rate, large storage capacity and fast recognition, which integrates UNV face recognition technology and non-contact temperature detection technology. The digital detection module supports rapid body temperature detection. Thus, the product can achieve face recognition and temperature detection at the same time, and support warning people with abnormal body temperature. It can be widely applied in the crowded places, such as smart communities, schools, office buildings, hospitals and other important areas.



## Product Features

- Support non-contact detection, support warning people with abnormal body temperature
- Support body temperature detection and personnel information binding, which can quickly confirm personnel information and do body temperature detection
- Support configure temperature detection threshold value, and personnel access authority can be configured through temperature detection threshold value
- Non-contact temperature detection module, measurement range is between 30°C to 45°C, measurement accuracy can reach 0.1°C, measurement deviation is less than or equal to 0.3°C, and measurement distance is 1 meter
- Deep learning algorithm model based on UNV independent intellectual property rights, face recognition accuracy rate > 99%, false rate < 1%
- Built-in deep learning dedicated chip, supports local offline recognition, 10,000 face capacity, face whitelist (1: N)
- Fastest recognition time 0.2 seconds, various model merge mode are used to reduce false rate and increase pass rate
- WDR, 2MP (1080P) low illumination wide-angle camera and F1.6 large aperture lens for capturing high quality image with various complex lighting scenes
- Support anti-spoofing detection based on deep learning algorithm, effective against fraud such as photo and video
- Support face metering and human metering for fast adapting to ambient light
- Suggested height for face recognition: between 0.8m and 2.2m, face recognition distance: 0.2m to 2.9m
- Support screen sleep mode, keep the minimum brightness to prevent glare at night
- Support add up to 6 photos of the base library for a single person
- Support video capture, support ONVIF protocol
- Support face, card, password and QR code authentication to control door open
- Built-in 4G EMMC front end storage, stable and reliable, up to 8,000 events capacity (with images)
- Support tamper protection, support door open timeout and time exceed alarm function to keep door opening during fire alarm active

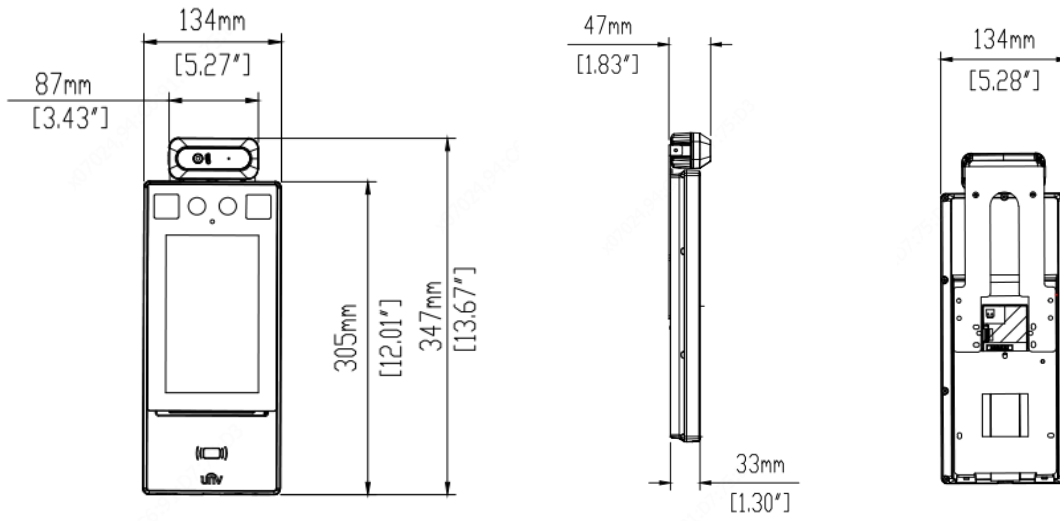
## Ordering Information

Model	Comment
OET-213H-BTM32	Face recognition access control terminal with digital temperature measurement module, including 1PC OET-213H face recognition access control terminal, 1PC EP-SZ66 connection bracket and 1PC OEP-BTM32-NB digital detection module

## Product Specification

Features Parameter	Description
Operation System	Linux
Face Recognition Accuracy Rate	>99%
Face Recognition Time	200ms
Face Capacity	10,000
Card Capacity	100,000
Storage Capacity	4GB
Event Capacity	8,000 (with images)
Measurement Range	30°C - 45°C
Measurement Accuracy	0.1°C
Measurement Deviation	≤0.3°C
Measurement Distance	1m
Authentication Mode	Face Whitelist: (1: N)
	Card:(1:N)
	Face +Body temperature
	Mask Detection
Door Opening Method	Face, Password, QR code, Card
Communication Mode	10/100Mbps adaptive network port
Card Type	Mifare 1 Card
User Management	Support user library addition, deletion, update
Record Management	Support local recording and real-time upload
Interface	LAN×1, Wiegand Input×1, Wiegand Output×1, RS485×1, Alarm Input×2, Alarm Output×1, USB2.0×1, Lock×1, Door Contact ×1, Exit Button×1
Power Supply	Input 12V±25% DC
Screen	Touch Screen, Size:7 inch, Resolution: 600×1024
Camera	Dual Lens, 2MP, 1080P
Supplement Light	LED soft light and infrared light
Dimensions (L×W×H)	For terminal : 134.0mm×33.0mm×305.0mm
Working Environment	For terminal: -20°C-65°C, Relative Humidity<95% (non-condensing) For module: 15°C-30°C
Protection Level	Both terminal and module: IP 54
Application Situation	Indoor, No wind

## Product Dimensions



**Zhejiang Uniview Technologies Co., Ltd.**

Building No.10, Wanlun Science Park, Jiangling Road 88, Binjiang District, Hangzhou, Zhejiang, China (310051)

Email: [overseasbusiness@uniview.com](mailto:overseasbusiness@uniview.com); [globalsupport@uniview.com](mailto:globalsupport@uniview.com)

<http://www.uniview.com>

©2019 Zhejiang Uniview Technologies Co., Ltd. All rights reserved.

\*Product specifications and availability are subject to change without notice.